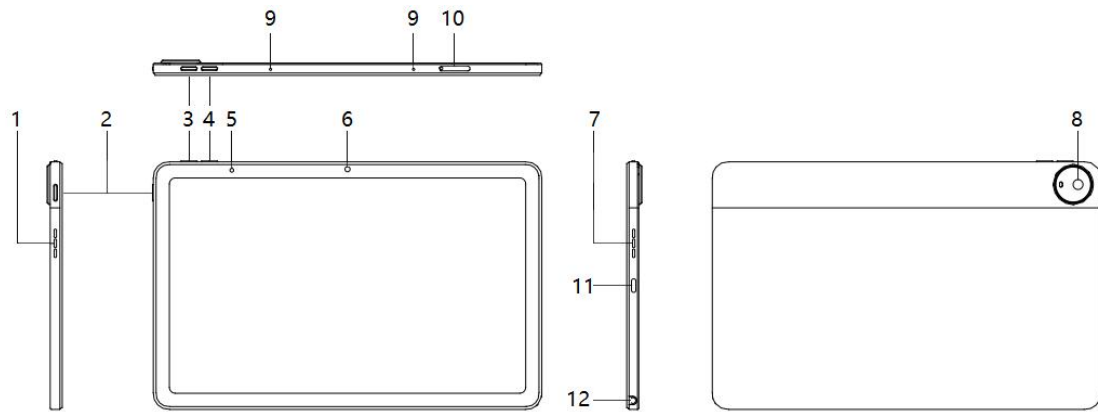


Quick Guide

--DP1036



01/Product Overview



1. Left speaker
2. Power button
3. Volume +
4. Volume -
5. Light sensor
6. Front camera
7. Right speaker
8. Rear camera
9. Microphone
10. Micro SD card slot
11. USB-C port
12. Headphone jack

02/Product Parameters

Product name: UT2 Drawing Pad
Product model: DP1036
Operating system: Powered by Android™ 14
CPU: MT8781N, 8-core processor
Screen size: 10.36 inches
Screen Resolution: 2000*1200

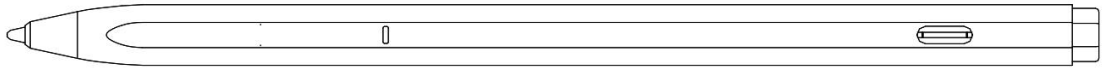
Power input: 5V  3A or 9V  2A

Battery capacity: 7000mAh/3.85V
Memory: LPDDR4X 6GB
Storage: UFS2.2 128GB
Wireless: Wi-Fi 2.4GHz & 5GHz + Bluetooth 5.3
Dimension: 247.1*156.8*7.5mm
Camera: Front 8-megapixel, Fixed focus,
Rear 8-megapixel, Automatic focus.

03/Package Includes

- | | | |
|-------------------|----|----|
| 1. Drawing Pad | | x1 |
| 2. Stylus | | x1 |
| 3. Nib Extractor | | x1 |
| 4. Pen nibs | | x1 |
| 5. Power adapter | | x1 |
| 6. USB-C cable | x1 | |
| 7. Gloves | | x1 |
| 8. Eject pin | | x1 |
| 9. Smart folio | | x1 |
| 10. Quick guide | | x1 |
| 11. Warranty card | | x1 |

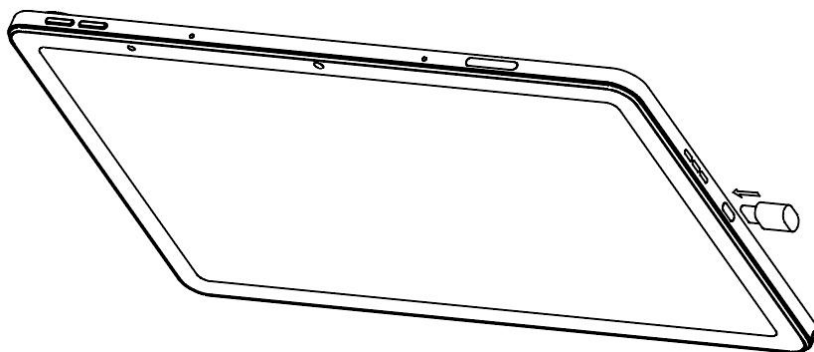
04/Stylus



Before using for the first time, it needs to be connected to the power with attached power adapter and USB cable to activate for functioning normally.

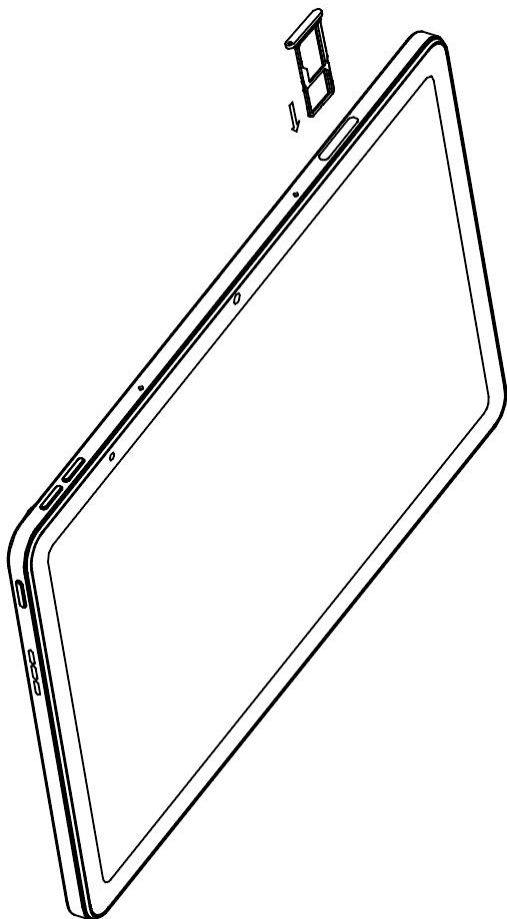
To replace the nib, hold the front with the Nib Extractor, pull out the used refill, and replace it with a new one.

05/Charging and Using Micro SD Card



As shown above, please charge the device using the accompanying power adapter and USB cable.

* Please fully charge the battery before using the device for the first time.



Please use the accompanying eject pin to eject the tray and then insert or remove the Micro SD card.

06/Important Safety Information

Please read this chapter carefully before using your device. The manufacturer disclaims any liability for damage, which may result as a consequence of improper use or use contrary to the instructions contained herein.

- The device consists of high-precision components, so no disassembly is permitted

without authorization. In case of a device fault, please contact after-sales service in time for maintenance.

- The device is not waterproof and needs to be protected against moisture and water. If water is accidentally spilled in, do not turn the device on. Do not clean the parts with any highly corrosive liquid. If necessary, please use a neutral detergent and a soft cleaning cloth.
- Please protect the device against falls from heights or excessive pressure. Do not touch the display screen with sharp objects to avoid scratches.
- Do not use, store, or vibrate the device in high temperature, high pressure, strong static, strong magnetic field, or dusty environment to avoid damage to the device.
- Do not use your device when the vehicle is not safely parked. Using a hand-held device while driving is illegal in many countries.
- Comply with restrictions on use specific to certain places (hospitals, planes, gas stations, schools, etc.).
- Switch the device off before boarding an aircraft.
- Switch the device off when you are in health care facilities, except in designated areas.
- Switch the device off when you are near gas or flammable liquids. Strictly obey all signs and instructions posted in a fuel depot, petrol station, or chemical plant, or in any potentially explosive atmosphere when operate your device.
- Turn off your mobile device or wireless device when in a blasting area or in areas posted with notifications requesting "two-way radios" or "electronic devices" are turned off to avoid interfering with blasting operations.

Please consult your doctor and the device manufacturer to determine if operation of your device may interfere with the operation of your medical device. When the device is switched on, it should be kept at least 15 cm from any medical device such as a pacemaker, a hearing aid, or an insulin pump, etc.

- Do not let children use the device and/or play with the device and accessories without supervision.
- To reduce exposure to radio waves, it is recommended:
 - To use a hands-free kit.
 - Keep the device away from the belly of pregnant women or the lower abdomen of adolescents.
- Do not allow your device to be exposed to adverse weather or environmental conditions (moisture, humidity, rain, infiltration of liquids, dust, sea air, etc.). The manufacturer's recommended operating temperature range is 0° C (32° F) to 40° C (104° F). At over 40° C (104° F) the legibility of the device's display may be impaired, though this is temporary and not serious.
- Use only batteries, battery chargers, and accessories which are compatible with your device model.
- Do not use a damaged device, such as a device with a cracked display or badly dented back cover, as it may cause injury or harm.
- Do not keep device connected to charger with battery fully charged for a long period

of time as it can cause overheating and shorten battery life.

- Do not sleep with the device on your person or in your bed. Do not place the device under a blanket, pillow, or under your body, especially when connected to the charger. Do not charge the device in a confined space, as this may cause the device to overheat.

- The UT2 Drawing Pad display delivers a matte tactile feel, protecting against smudges or fingerprints and produces a paper-like matte effect texture and provides resistance. This screen surface is different to standard smartphone screens. But note that it does not admit tempered glasses protection and is more vulnerable to scratches, so it is recommended to avoid the contact with other materials that can cause scratching.

- Declaration of Conformity

Hereby, [Hanvon Ugee Technology Co., Ltd.] declares that the radio equipment type [DP1036] is in compliance with Directive 2014/53/EU. The full text of the EU declaration of conformity is available at the following internet address:

<https://www.ugee.com/eu-declaration-of-conformity>

- FCC Statement

This equipment has been tested and found to comply with the limits for a Class B digital device, pursuant to part 15 of the FCC Rules. These limits are designed to provide reasonable protection against harmful interference in a residential installation. This equipment generates, uses and can radiate radio frequency energy and, if not installed and used in accordance with the instructions, may cause harmful interference to radio communications. However, there is no guarantee that interference will not occur in a particular installation. If this equipment does cause harmful interference to radio or television reception, which can be determined by turning the equipment off and on, the user is encouraged to try to correct the interference by one or more of the following measures:

- Reorient or relocate the receiving antenna.
- Increase the separation between the equipment and receiver.
- Connect the equipment into an outlet on a circuit different from that to which the receiver is connected.
- Consult the dealer or an experienced radio/TV technician for help.

Caution: Any changes or modifications to this device not explicitly approved by manufacturer could void your authority to operate this equipment.

This device complies with part 15 of the FCC Rules. Operation is subject to the following two conditions: (1) This device may not cause harmful interference, and (2) this device must accept any interference received, including interference that may cause undesired operation.

- Specific Absorption Rate (SAR) information:

This UT2 Drawing Pad meets the government's requirements for exposure to radio waves. The guidelines are based on standards that were developed by independent scientific organizations through periodic and thorough evaluation of scientific studies. The standards include a substantial safety margin designed to assure the safety of all persons regardless of age or health. FCC RF Exposure Information and Statement the SAR limit of USA (FCC) is 1.6 W/kg averaged over one gram of tissue. Device types:

UT2 Drawing Pad has also been tested against this SAR limit. This device was tested for typical body-worn operations with the back of the UT2 Drawing Pad kept 0mm from the body. To maintain compliance with FCC RF exposure requirements, use accessories that maintain an 0 mm separation distance between the user's body and the back of the UT2 Drawing Pad. The use of belt clips, holsters and similar accessories should not contain metallic components in its assembly. The use of accessories that do not satisfy these requirements may not comply with FCC RF exposure requirements, and should be avoided.

- ISED Statement

- English: This device complies with Industry Canada license - exempt RSS standard(s).

Operation is subject to the following two conditions: (1) This device may not cause interference, and (2) This device must accept any interference, including interference that may cause undesired operation of the device.

The digital apparatus complies with Canadian CAN ICES - 3 (B)/NMB - 3(B).

- French: Le présent appareil est conforme aux CNR d'Industrie Canada applicables aux appareils radio exempts de licence. L'exploitation est autorisée aux deux conditions

suivantes: (1) l'appareil ne doit pas produire de brouillage, et (2) l'utilisateur de l'appareil doit accepter tout brouillage radioélectrique subi, même si le brouillage est susceptible d'en compromettre le fonctionnement.

- Specific Absorption Rate (SAR) information

This UT2 Drawing Pad meets the government's requirements for Canada radiation exposure limits set forth for an uncontrolled environment. This device was tested for typical body-worn operations with the back of the Laptop kept 0 mm from the body. To maintain compliance with ISED RF exposure requirements, use accessories that maintain an 0 mm separation distance between the user's body and the back of the Laptop. The use of belt clips, holsters and similar accessories should not contain metallic components in its assembly. The use of accessories that do not satisfy these requirements may not comply with ISED RF exposure requirements, and should be avoided.

le taux d'absorption spécifique (sar)

ce Tablette de dessin UT2 répond aux exigences du gouvernement du Canada l'exposition limites indiquées pour un autre environnement. ce dispositif a été testé pour les opérations de portés avec le dos du Ordinateur portable a de 0 mm de l'organisme. indicateurs d'exposition aux champs rf pour maintenir la conformité aux exigences, l'utilisation des accessoires que maintenir une distance de séparation entre l'utilisateur 0 mm et l'arrière du téléphone intelligent. l'utilisation de la ceinture des clips, étuis et autres accessoires ne doit pas comportent des éléments

métalliques dans l'assemblée. l'utilisation d'accessoires qui ne remplissent pas ces conditions ne peuvent se conformer aux exigences organisés l'exposition aux rf, et devrait être évitée.

Caution:

The device for operation in the band 5150 - 5250 MHz is only for indoor use to reduce the potential for harmful interference to co-channel mobile satellite systems; For devices with detachable antenna(s), the maximum antenna gain permitted for devices in the bands 5250-5350 MHz and 5470-5725 MHz shall be such that the equipment still complies with the EIRP limit;

For devices with detachable antenna(s), the maximum antenna gain permitted for devices in the band 5725-5850 MHz shall be such that the equipment still complies with the EIRP limits specified for point-to-point and non-point-to-point operation as appropriate; and operations in the 5.25-5.35GHz band are restricted to indoor usage only.

Avertissement:

les dispositifs fonctionnant dans la bande de 5150 à 5250MHz sont réservés uniquement pour une utilisation à l'intérieur afin de réduire les risques de brouillage préjudiciable aux systèmes de satellites mobiles utilisant les mêmes canaux; pour les dispositifs munis d'antennes amovibles, le gain maximal d'antenne permis pour les dispositifs utilisant les bandes de 5250 à 5350MHz et de 5470 à 5725 MHz doit être conforme à la limite de la p.i.r.e;

pour les dispositifs munis d'antennes amovibles, le gain maximal d'antenne permis (pour les dispositifs utilisant la bande de 5725 à 5850 MHz) doit être conforme à la limite de la p.i.r.e. spécifiée pour l'exploitation point à point et l'exploitation non point à point, selon le cas;

Les opérations dans la bande de 5.25-5.35GHz sont limités à un usage intérieur seulement.

電波法により 5GHz 帯は屋内使用に限ります

Operating temperature: 0~45°C

Manufacturer: Hanvon Ugee Technology Co.,Ltd.

Address: 2/F, West of 3/F, 4/F, No.4 Building, Fulongte Industrial Park, Huaxing Road, Langkou Community, Dalang Street, Longhua District, Shenzhen, Guangdong China

- Protect your eye
 - Do not use your device for long periods of time, it is recommended to take a 10-minute break every hour.
 - During the break, look into the distance or do eye exercises to relax

- Protect your hearing



To prevent possible hearing damage, do not listen at high volume levels for long periods. Exercise caution when holding your device near your ear while the loudspeaker is in use.

- Waste disposal and recycling



Device, accessory and battery must be disposed of in accordance with locally applicable environmental regulations.

This symbol on your device, the battery, and the accessories means that these products must be taken to:

- Municipal waste disposal centres with specific bins.
- Collection bins at points of sale.

They will then be recycled, preventing substances being disposed of in the environment.

In European Union countries: These collection points are accessible free of charge. All products with this sign must be brought to these collection points.

In non-European Union jurisdictions: Items of equipment with this symbol are not to be thrown into ordinary bins if your jurisdiction or your region has suitable recycling and collection facilities; instead they are to be taken to collection points for them to be recycled.

- Battery

In accordance with air regulations, the battery of your product is not fully charged. Please charge it first.

- Do not attempt to open the battery (due to the risk of toxic fumes and burns).
- For a device with a non-removable battery, do not attempt to eject or replace the battery.
- Do not puncture, disassemble, or cause a short circuit in a battery.
- For a unibody device, do not attempt to open or puncture the back cover.
- Do not burn or dispose of a used battery or device in household rubbish or store it at temperatures above 60° C (140° F), this can result in an explosion or the leakage of flammable liquid or gas. Similarly, subjecting the battery to extremely

low air pressure may result in an explosion or the leakage of flammable liquid or gas. Only use the battery for the purpose for which it was designed and recommended. Never use damaged batteries.

CAUTION: RISK OF EXPLOSION IF BATTERY IS REPLACED BY AN INCORRECT TYPE. DISPOSE OF USED BATTERIES ACCORDING TO THE INSTRUCTIONS.

- **Charger**

If sold with the device, depending on the device you purchased.

Mains powered chargers will operate within the temperature range of: 0° C (32° F) to 40° C (104° F).

The chargers designed for your device meet the standard for safety of information technology equipment and office equipment use. They are also compliant with the ecodesign directive 2009/125/EC. Due to different applicable electrical specifications, a charger you purchased in one jurisdiction may not work in another jurisdiction. They should be used for the purpose of charging only.

Model: J151-0503000IU

Input Voltage: 100~240V

Input AC Frequency: 50/60Hz

Output Voltage: 5.0V

Output Current: 3.0A

Output Power: 15.0W

Average active efficiency: 81.38% (33W)

No-load power consumption: 0.075W

- **Radio Equipment Directive Declaration of Conformity**



Hereby, Hanvon Ugee Technology Co., Ltd. declares that the radio equipment of type UGEE DP1036 is in compliance with Directive 2014/53/EU. The full text of the EU declaration of conformity is available at the following internet address:

<https://www.ugee.com/eu-declaration-of-conformity>

- **SAR and radio waves**

The product SAR limit in Europe is 2.0W/kg for Head.

The highest SAR value for this product when tested was 2.0 W/kg for Head (5 mm).

The 5150~5350 MHz frequency range is restricted to indoor use only in: AT, BE, BG, CH, CY, CZ, DE, DK, EE, EL, ES, FI, FR, HR, HU, IE, IS, IT, LI, LT, LU, LV, MT, NL, NO, PL, PT, RO, SE, SI, SK, TR, UK (NI)



The functions of Wireless Access Systems including Radio Local Area Networks(WAS/RLANs) within the band 5150-5350 MHz for this device are restricted to indoor use only within all European Union countries (BE/BG/CZ/DK/DE/EE/IE/EL/ES/FR/HR/ IT/CY/LV/LT/LU/HU/MT/NL/AT/PL/PT/RO/SI/SK/FI/SE/TR/N O/CH/IS/LI/UK(NI))

This radio equipment is also subject to certain restrictions when it is placed on the market in United Kingdom (UK):

In accordance with the relevant statutory requirements in the UK, the 5150 to 5350 MHz frequency range is restricted to indoor use in the United Kingdom.

- General information
- Internet address: <https://www.ugee.com>
- Service Hotline and Repair Center: Go to our website <https://www.ugee.com/contact>, or open Support Center application on your device to find your local hotline number and authorized repair center for your country.
- Full User Manual: Please go to <https://www.ugee.com/subsidiary/setup-ut2> to download the full user manual of your device.
On our website, you will find our FAQ (Frequently Asked Questions) section. You can also contact us by email to ask any questions you may have.
- Manufacturer: Hanvon Ugee Technology Co., Ltd.
- Address: 2/F, West of 3/F, 4/F, No.4 Building, Fulongte Industrial Park, Huaxing Road, Langkou Community, Dalang Street, Longhua District, Shenzhen, China
- Electronic labelling path: Touch Settings > About tablet > Legal & regulatory to find more information about labelling (1) Depending on country.

- Software update

The connection costs associated with finding, downloading and installing software updates for your mobile device's operating system will vary depending on the offer you have subscribed to from your telecommunications operator. Updates will be downloaded automatically but their installation will require your approval.

Refusing or forgetting to install an update can affect your device's performance and, in the event of a security update, expose your device to security vulnerabilities. For more information about software update, please go to <https://www.ugee.com/drawing-pad/ut2>

- Privacy statement of device usage

Any personal data you shared with Hanvon Ugee Technology Co., Ltd. will be handled in accordance with our Privacy Notice. You can check our Privacy Notice by visiting our website: <https://www.ugee.com/privacy-policy>

- Disclaimer

There may be certain differences between the user manual description and the device's operation, depending on the software release of your device or specific operator services. Hanvon Ugee Technology Co., Ltd. shall not be held legally responsible for such differences, if any, nor for their potential consequences, which responsibility shall be borne by the operator exclusively.

- Limited warranty

As the consumer You may have legal (statutory) rights that are in addition to those set out in this Limited Warranty offered by Manufacturer voluntarily, such as the consumer laws of the country in which You live ("Consumer Rights"). This Limited Warranty sets out certain situations when the Manufacturer will, or will not, provide a remedy for the ugee device. This Limited Warranty does not limit or exclude any of your Consumer Rights relating to the ugee device.

For more information about limited warranty, please go to <https://www.ugee.com/warranty-policy>

In case of any defect of your device which prevents you from normal use thereof, you must immediately inform your vendor and present your device with your proof of purchase.

Android is a trademark of Google LLC.

If you need any further assistance, please contact us:

E-Mail: service@ugee.com

Web: www.ugee.com